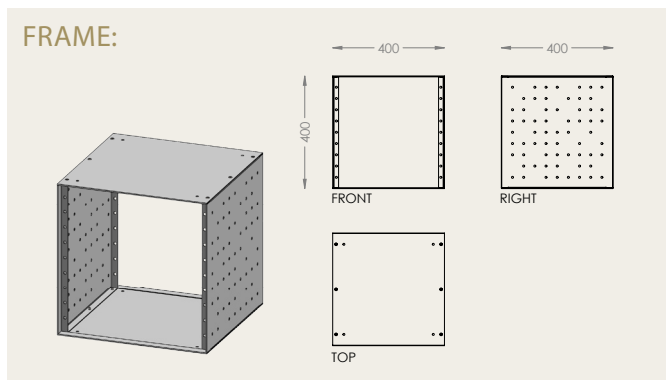


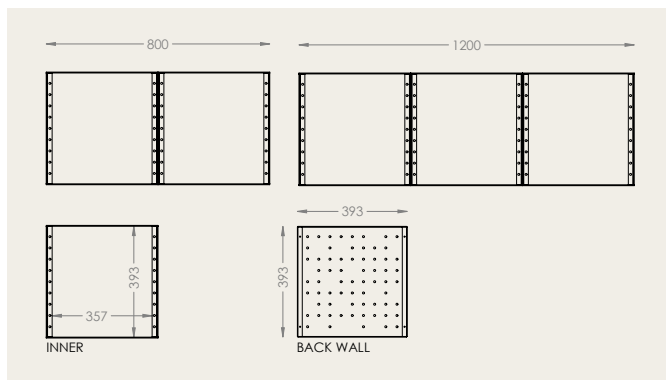
FILOSA BRICKS BASIC DIMENSIONS

FILOSA BRICKS is a revolutionary concept for the creation of modular furniture. Choose our standard or compound your own BRICKS. And, as it is BRICKS, you can always come up to new design with your BRICKS.

FRAME:

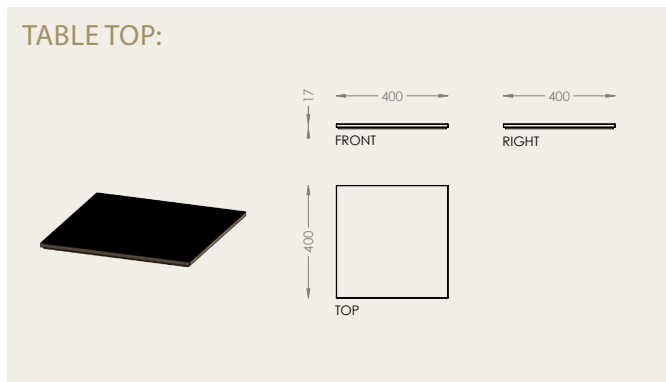


Bricks Frame is produced of 1,5 mm steel plate, powder coated in standard colors or according to interior plan. Frame is open in two sides which can be used for a door, perforated steel plate, upholstered panel or white board.

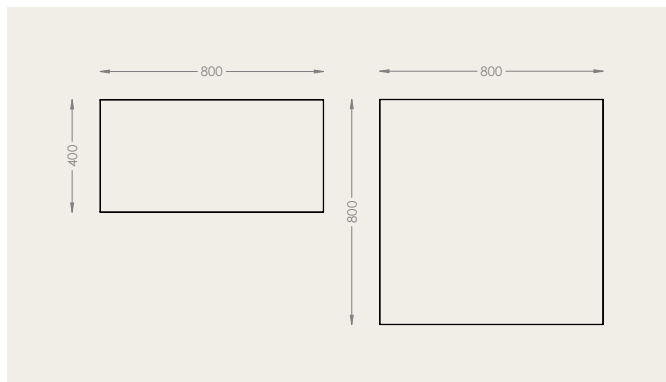


The Bricks cubes can be fixed together to create unique compositions according to the interior plan.

TABLE TOP:

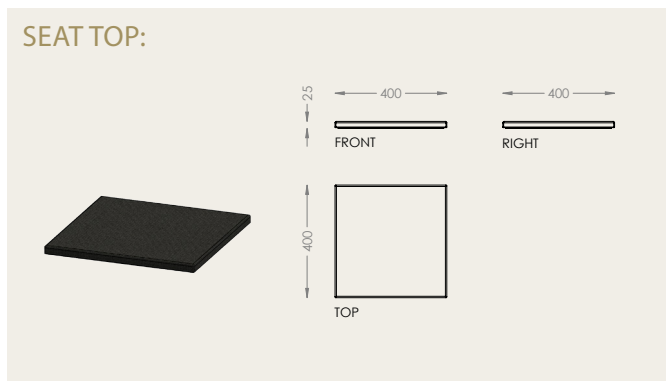


The top of the Bricks compositions can have a table top made of veneer or laminate. Other materials by request.

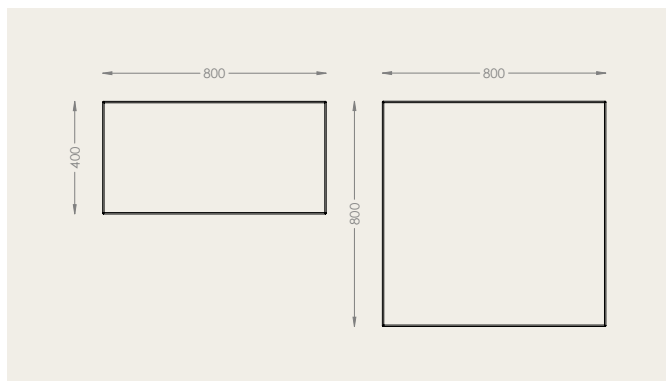


Any top size is available to create a convenient surface for working together by standing or sitting.

SEAT TOP:



To increase comfort the top of the Bricks composition can be upholstered with matching fabric.

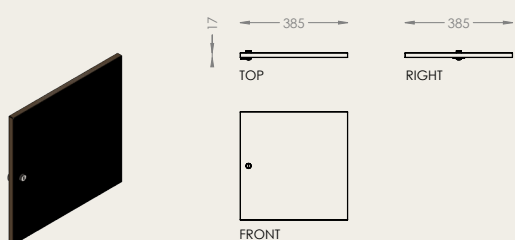


For upholsteries any size is available. Fabric according to the interior plan.

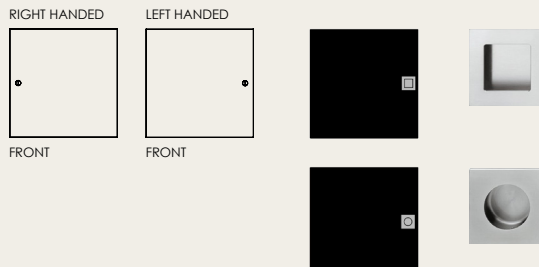
FILOSA BRICKS BASIC DIMENSIONS

FILOSA BRICKS is a revolutionary concept for the creation of modular furniture. Choose our standard or compound your own BRICKS. And, as it is BRICKS, you can always come up to new design with your BRICKS.

DOOR:

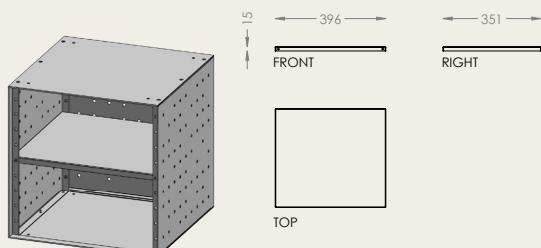


Bricks have a wide selection of material options for doors. This makes the designing of interior with Bricks even more exciting. For door edges you can choose between visible veneer edge or ABS-edge. For more information, see Colors and Materials -sheet.



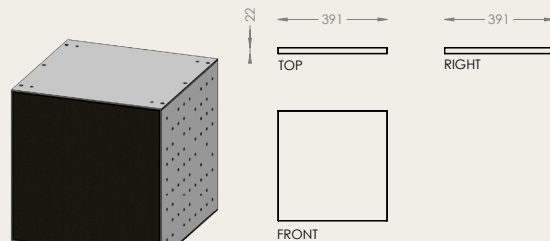
For Bricks lockers square and round handles are as standard available. Other handles by request. For locks we offer any suitable system from the market. Ask for more information.

SHELF:



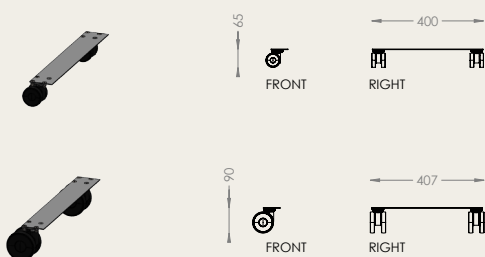
Bricks cubes can be equipped with adjustable shelves made from steel plate or laminate.

ACOUSTIC WALL:



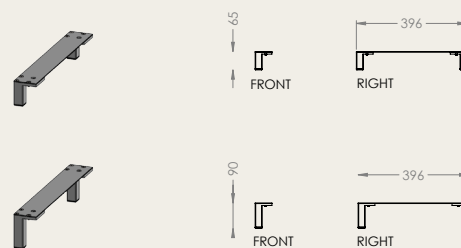
The Bricks locker units can have an upholstered back panel for noise absorption, or just for nice decoration. Any fabric from interior plan can be used.

CASTORS:



For mobility Bricks can have castors which are offered in two sizes depending on the size of the Bricks composition. Castors are also available with brakes.

LEGS:



Legs are a good choice for larger or higher Bricks compositions to guarantee the safe use of the product.